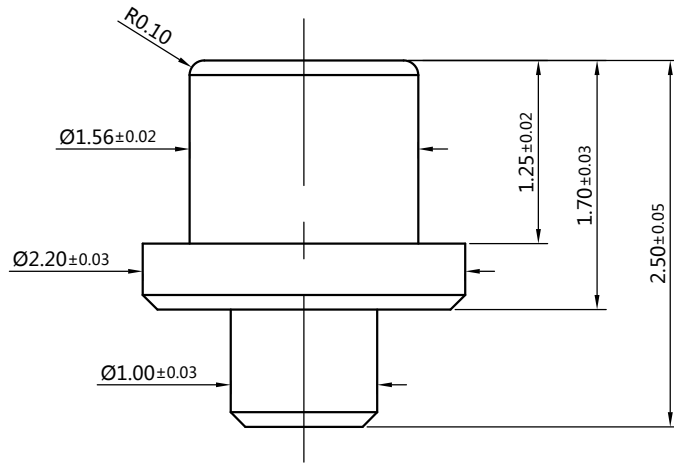
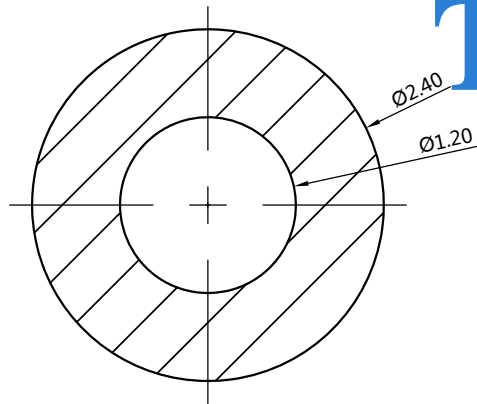


THIS INFORMATION IS CONFIDENTIAL AND IS DISCLOSED TO YOU ON CONDITION THAT NO FURTHER DISCLOSURE IS MADE BY YOU TO OTHER THAN TOP-LINK PERSONNEL WITHOUT WRITTEN AUTHORIZATION FROM TOP-LINK LTD.



- Notes:
- 1 Dimensions shall be interpreted per ASME Y14.5M
  - 2 Electrical performance
    - <2.1> Current rating: 2.0A
    - <2.2> Voltage rating: 36VAC/DC
    - <2.3> Contact Resistance: 30mOhm Max
  - 3 Environmental performance
    - <3.1> RoHS2.0 compliant
    - <3.2> Operating Temperature range: -40°C ~ +85°C
    - <3.3> Withstanding High Temperature: 260°C/10Sec
  - 4 Packaging: Carrier tape



# Top-link

RECOMMEND PCB LAYOUT (TOP VIEW)  
Layout Tolerance: ± 0.05mm

A	Formal Version	2020.06.05
XC	EC DIM	2019.11.25
Item	Revision record	Date

Top-Link  
Electronics LTD.  
TOLERANCES UNLESS  
OTHER SPECIFIED  
0. = ± 0.25  
0.0 = ± 0.15  
0.00 = ± 0.10  
0.000 = ± 0.05  
Angle: ± 1°  
SURF TEXTURE: Ra1.6  
REMOVE BURRS.  
BREAK SHARP  
EDGES R0.05 MAX.

1	Pin	1pcs	Lead Free Brass	Au 0.75um min plated over 1.4um min Ni
Item	Part Name	Q'TY	Material	Finish
Type		Customer drawing		Unit mm
DRW:	Kaka	APRD:	Henry	
CHK:	/	REL:		
Name Solid Pin Connector for 817S (Customer NO. 1MCP-1000-026)				
Scale	Size	Part NO.	Page	Rev:
1:1	A4	10101013110	1/1	A

**top-link**