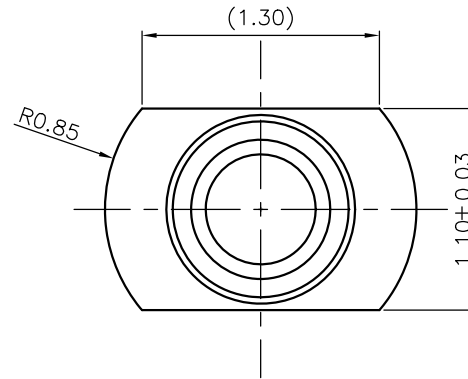
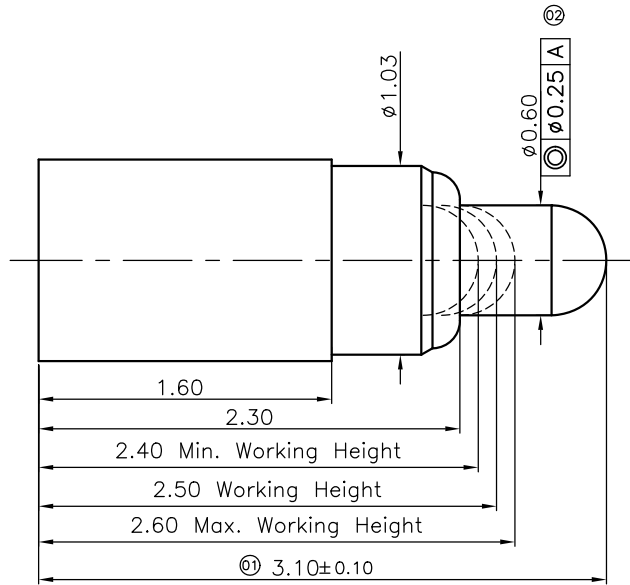


THIS INFORMATION IS CONFIDENTIAL AND IS DISCLOSED TO YOU ON CONDITION THAT NO FURTHER DISCLOSURE IS MADE BY YOU TO OTHER THAN TOP-LINK PERSONNEL WITHOUT WRITTEN AUTHORIZATION FROM TOP-LINK LTD.

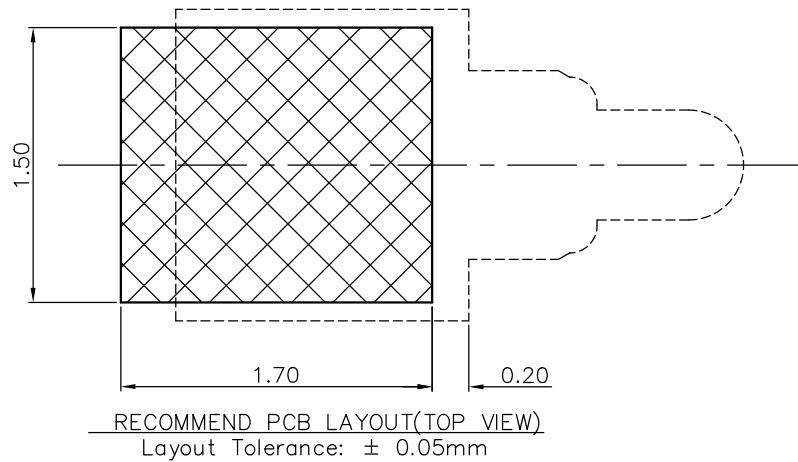


Top-link

Notes:

- 1 Dimensions shall be interpreted per ASME Y14.5M
- 2 Mechanical performance(See the table 1)
 - <2.1>The force is the average of forces obtained when plunger goes downwards and upwards
 - <2.2>Warning:Working height are not permitted to be less than Min working height
- 3 Electrical performance
 - <3.1>Current rating: 2.0A
 - <3.2>Voltage rating: 36VAC/DC
 - <3.3>Dynamic Resistance:30mOhm Max (between max and min working height)
- 4 Environmental performance
 - <4.1> RoHS compliant
 - <4.2>Operating Temperature range:-40°C~+85°C
 - <4.3>Withstanding High Temperature:260°C/10Sec
- 5 Packaging:Carrier tape.

Working Height	2.5mm	70± 20gf
Durability	10000 Cycles Min.	



Item	Part Name	Q'TY	Material	Finish
3	Body	1pcs	Leaded Brass	Au 0.1um min plated over 1.4um min Ni
2	Plunger	1pcs	Leaded Brass	Au 0.4um min plated over 1.4um min Ni
1	Spring	1pcs	Stainless steel wire	-----

Top-Link Electronics Ltd.
 TOLERANCES UNLESS OTHER SPECIFIED
 0. = ± -
 0.0 = ± 0.15
 0.00 = ± 0.10
 0.000= ± -
 Angle: ±1°
 SURF TEXTURE:
 REMOVE BURRS.
 BREAK SHARP EDGES
 R0.05 MAX.DO NOT SCALE PRINT.

Type	Customer drawing	Unit	top-link				
DRW:	Yang.cb	APRD:				mm	
CHK:		REL:					
Name					Pogo Pin		
Scale	Size	Part NO.	Page	Rev:			
1:1	A4	10101012318	1/1	XA			

XA	New Release	2018.03.16
Item	Revision record	Date